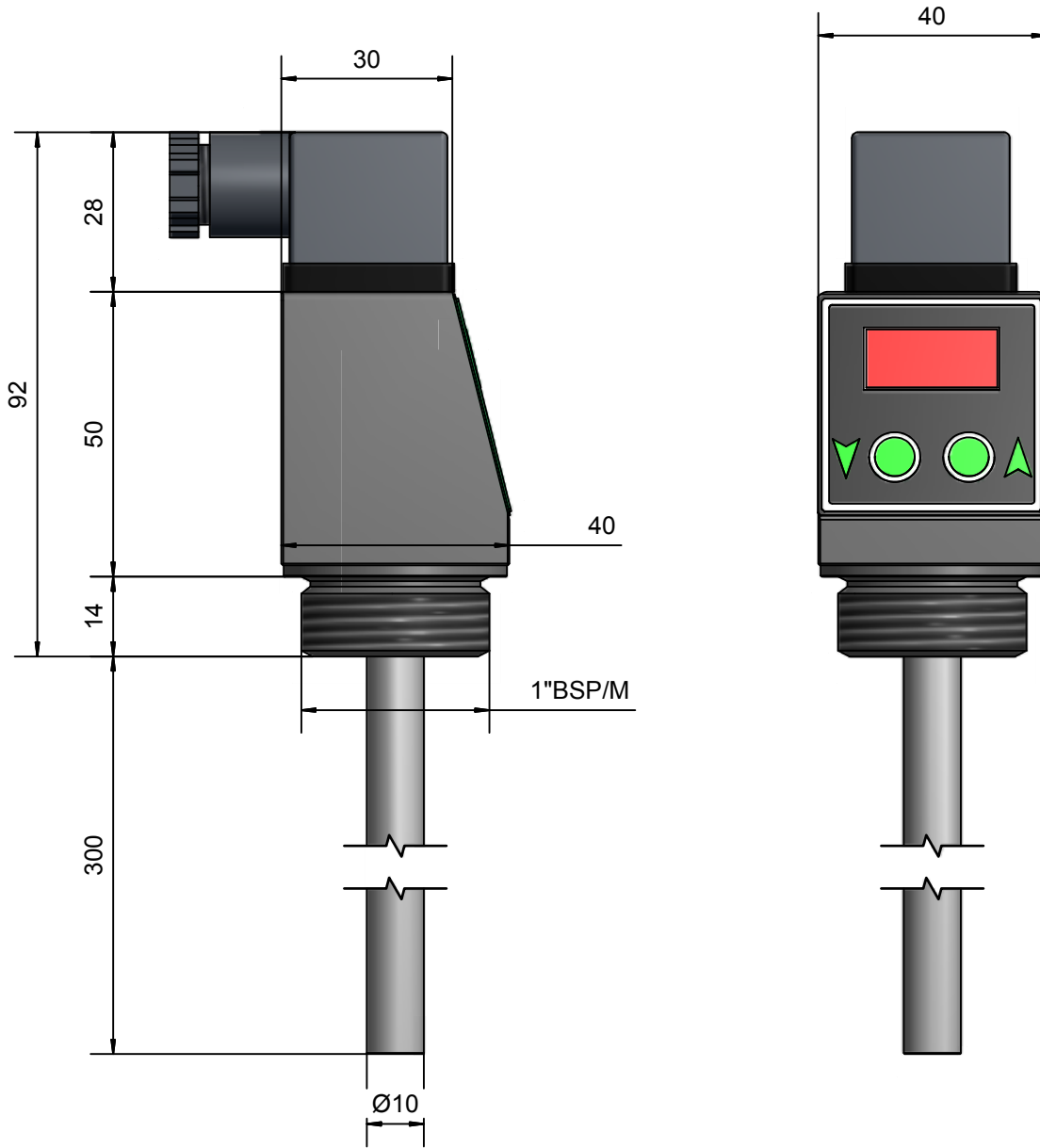
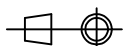



XT5V-P30-M3
 TERMOSTATO ELETTRONICO VISUALIZZATO



	Date	Name:	DESCRIPTION: TERMOSTATO ELETTRONICO VISUALIZZATO	SCALE:
DRAWN:	19/01/2015	E.L.		
CHECKED:				
APPROVED:			DRAWING No/FILE NAME	SHEET
ALL DIMENSION ARE IN MILLIMETER EXCEPT WHERE OTHERWISE NOTED	Projection:ISO128	FOX S.r.l.	XT5V	1 of 1
		Via Romagna 6 20090 Opera (MI) ITALY		

THIS DRAWING IS PROPERTY OF FOX S.r.l. COPYRIGHT , PATENTS AND ALL INDUSTRIAL PROPERTY RIGHTS RESERVED